

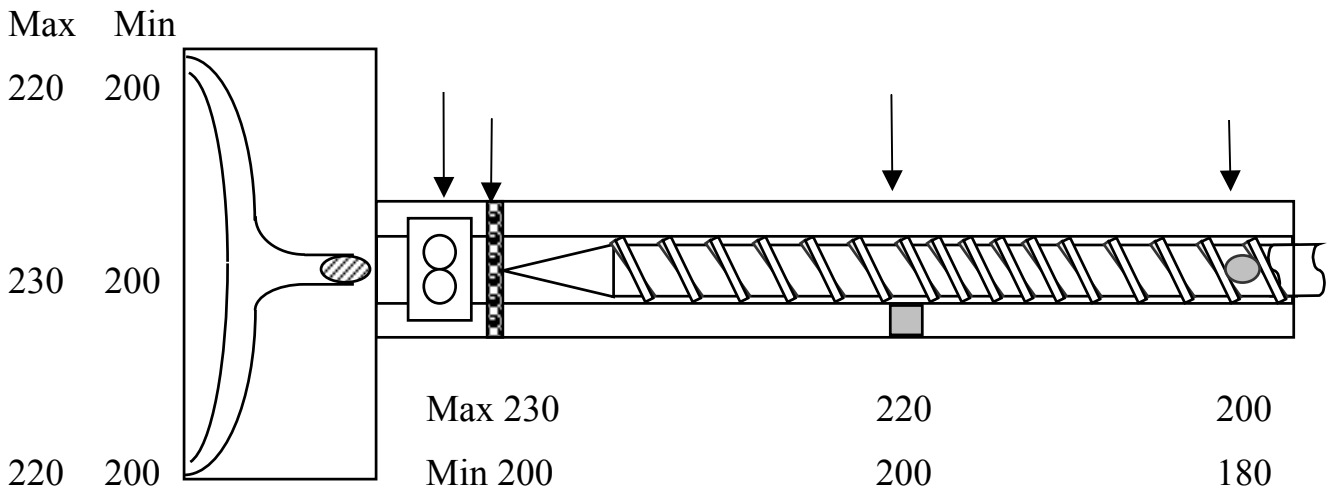


Extrusion PS, POLYREX[®] PH-88S

VIW

Processing Conditions

- A. Pre-drying 80°C x 2~3 hrs
 depending on a) Humidity
 b) Ratio of reground resin
 c) Storage conditions
- B. Extrusion Temperature Profile(°C)



NOTE :

1. Keep the resin from dust and contamination during handling and production.
2. Do not retain the hot melt at the barrel for a long time.

For further information, please contact your local agent or fax to Chi Mei Technical Services Dept.
 at 886-6-2665555